

# Eclipse 2000 Service Parts

This part list contains the service parts for the Eclipse 2000 systems.

The models that are covered include:

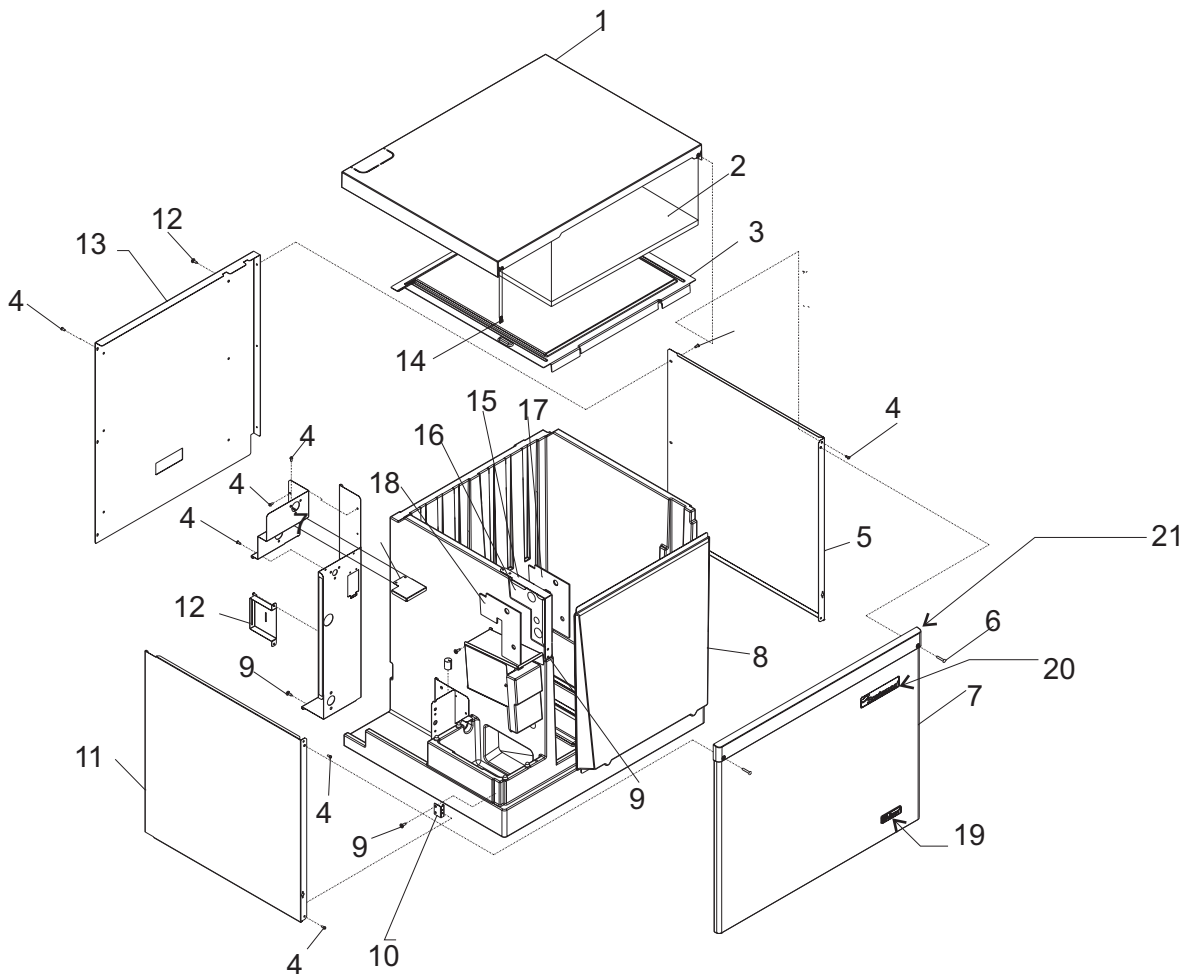
- CME2086
- CP2086
- ERC2086

## Table of Contents

CME2086 Cabinet . . . . .	Page 2
CME2086 Interior Parts . . . . .	Page 3
CME2086 Refrigeration System . . . . .	Page 4
CME2086 Electrical . . . . .	Page 5
CP2086 Cabinet . . . . .	Page 6
CP2086 Refrigeration Systems . . . . .	Page 7
CP2086 Control Box . . . . .	Page 8
Remote Condensers . . . . .	Page 9
CME2086 Schematic Diagram . . . . .	Page 10
CME2086 Wiring Diagram . . . . .	Page 11
CP2086 Single Phase Schematic Diagram . . . . .	Page 12
CP2086 Single Phase Wiring Diagram . . . . .	Page 13
CP2086 Three Phase Wiring Diagram . . . . .	Page 14
CP2086 Three Phase Schematic Diagram . . . . .	Page 15

# Eclipse 2000 Service Parts

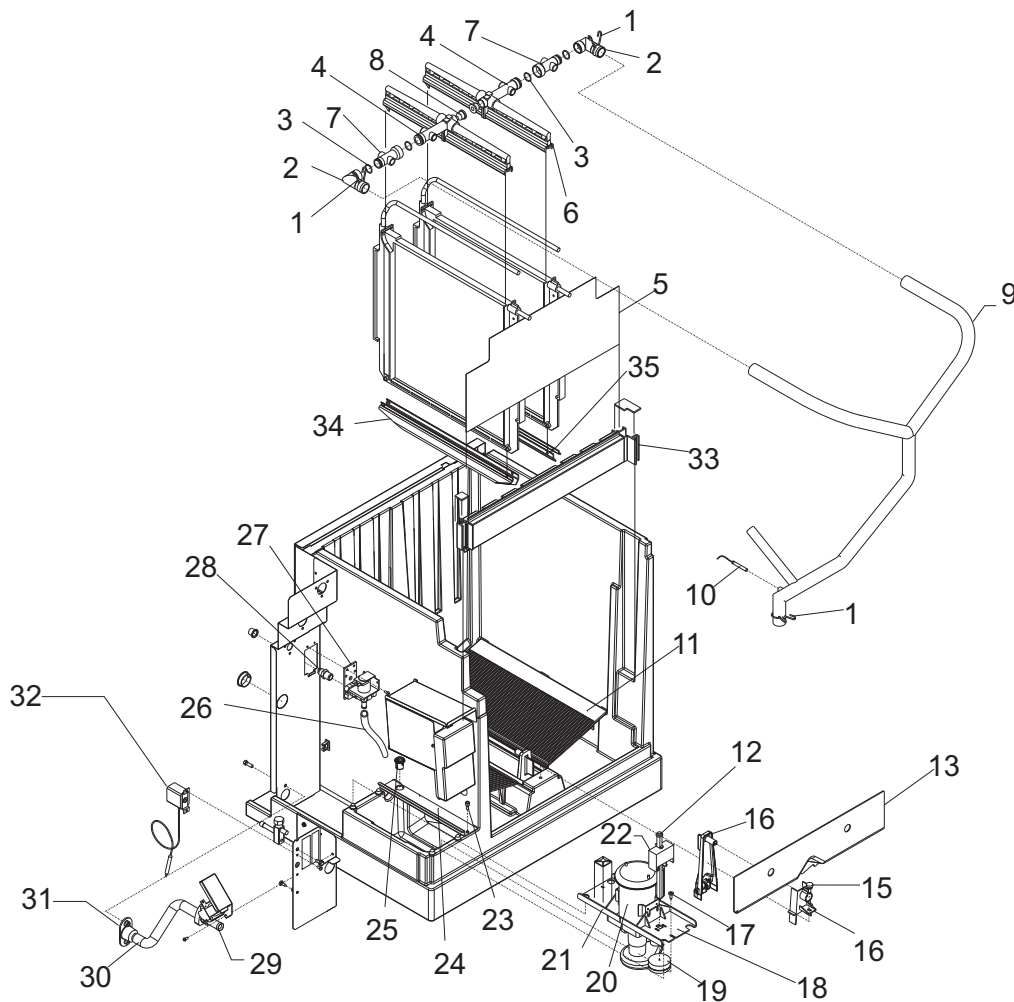
## CME2086 Cabinet



Item Number	Part Number	Description	Item Number	Part Number	Description
1	02-4001-21	Top panel	14	03-1423-06	Speed nut
2	02-3783-01	Insulation	15	A37218-001	Tube cover
3	02-3955-01	Inner top panel	16	02-3696-01	Tube grommet
4	03-1531-01	Screw	17	02-3696-02	Grommet left
5	A38281-021	Right side panel	18	02-3696-03	Grommet right
6	03-1735-01	Panel screw	19	15-0811-01	Eclipse emblem
7	A38373-021	Front panel, includes items 19 and 20	20	15-0808-01	Scotsman emblem
8	02-3702-01	Evaporator cover	21	02-3794-01	Trim strip
	02-3742-01	Insulation for cover	Not Shown, Front Panel Fasteners:		
9	03-1404-18	Screw	22	03-1734-01	Insert
10	A38338-001	Side mounting bracket	23	03-1417-27	Washer
11	A38280-021	Left side panel	24	03-1733-01	Ball stud
12	A38339-001	Slotted panel bracket			
13	A38279-001	Back panel			

# Eclipse 2000 Service Parts

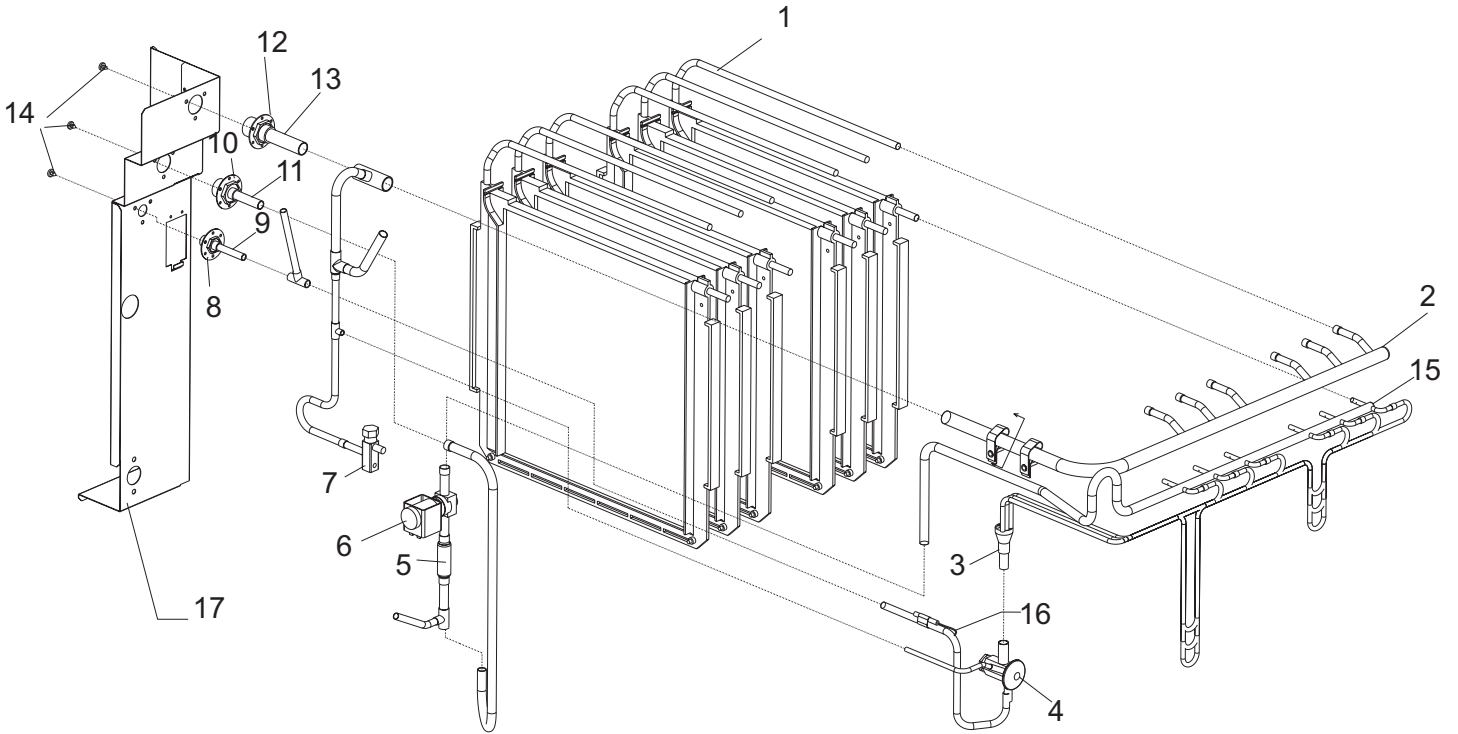
## CME2086 Interior Parts



Item Number	Part Number	Description	Item Number	Part Number	Description
1	02-3725-01	Hose clamp	19	02-3341-01	Float
2	02-3613-01	Elbow	20	12-2876-21	Water pump
3	13-0617-48	O-ring	21	02-3388-05	Pump bracket half
4	02-3518-01	Water manifold	22	11-0539-51	Water level sensor
5	02-3708-01	Top front inner panel	23	03-1691-01	Plastic screw
6	02-2527-01	Water distributor	24	02-3960-01	Sump cover
7	02-3519-01	Manifold fitting	25	02-3978-01	Hose bushing
8	13-0840-01	Rubber plug	26	13-0674-02	Hose, order 2, use 14 in.
9	02-3660-01	Pump hose	27	12-2548-01	Water inlet sol valve
10	11-0515-21	Temp sensor set	28	16-0355-00	Coupling half
11	02-3337-02	Cube deflector	29	11-0514-02	Purge valve
12	02-3383-09	CME2086 float stick	30	02-3980-01	Hose
13	02-3680-01	Lower front inner panel	31	02-3692-21	Drain fitting
14	11-0540-21	Ice sensor set	32	11-0521-21	Bin thermostat
15	02-3689-01	Front sensor mount		02-3740-01	Thermostat bracket
16	03-0727-09	Mounting screw		03-1675-03	Attaching bolt
17	03-1404-18	Screw	33	A37337-001	Evaporator bracket
18	02-3388-04	Pump bracket half	34	02-3672-02	Left water trough
			35	02-3672-01	Right water trough

# Eclipse 2000 Service Parts

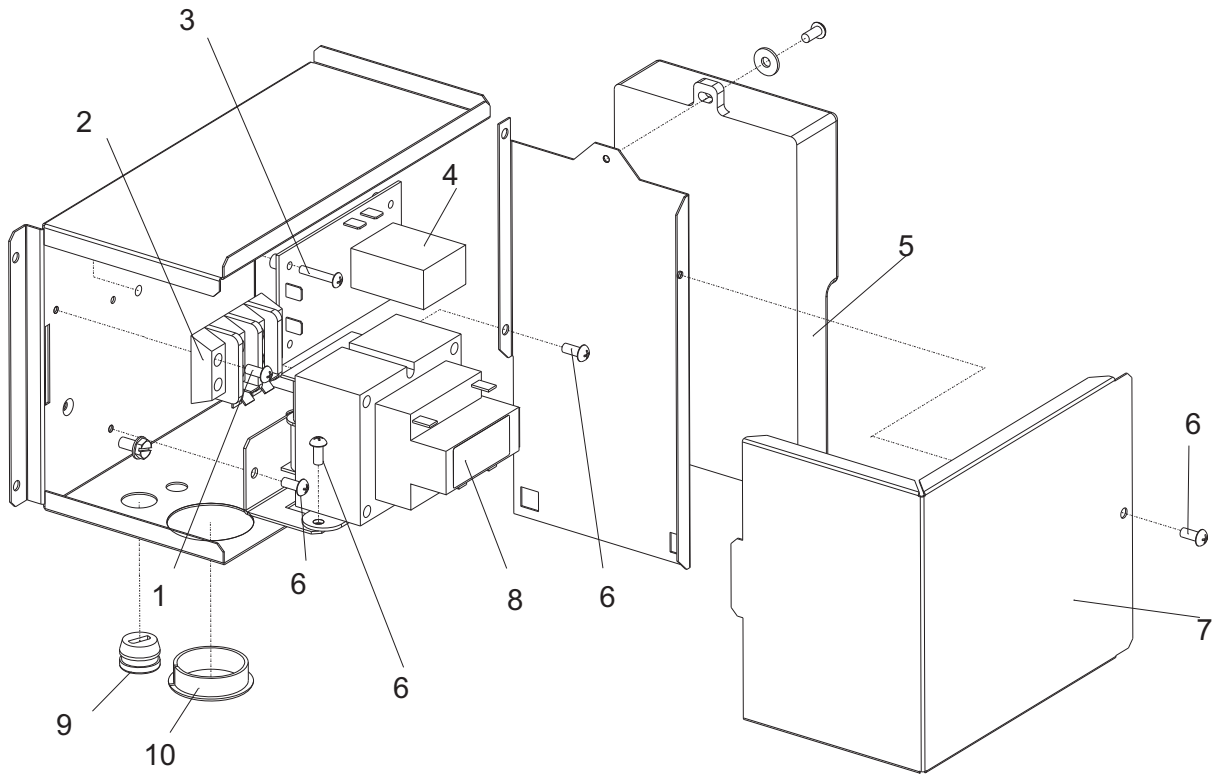
## CME2086 Refrigeration System



Item Number	Part Number	Description	Item Number	Part Number	Description
1	A37315-021	Evaporator	8	16-0701-07	Mounting flange
2	16-1102-02	Suction header	9	16-0850-03	Quick connect
3	A38437-021	Distributor assembly	10	16-0701-14	Mounting flange
4	16-1041-21	TXV ANE1 ¼ SZ	11	16-0850-01	Quick connect
	02-3792-01	TXV insulation	12	16-0701-18	Mounting flange
5	16-1063-03	Strainer	13	16-0850-04	Quick connect
6	11-0507-23	Vapor inlet valve	14	03-1405-15	Screw
7	16-0832-20	Low side access valve	15	16-1106-01	Hot gas header
			16	11-0515-21	Temp sensor set
			17	A38336-001	Bracket

# Eclipse 2000 Service Parts

## CME2086 Electrical



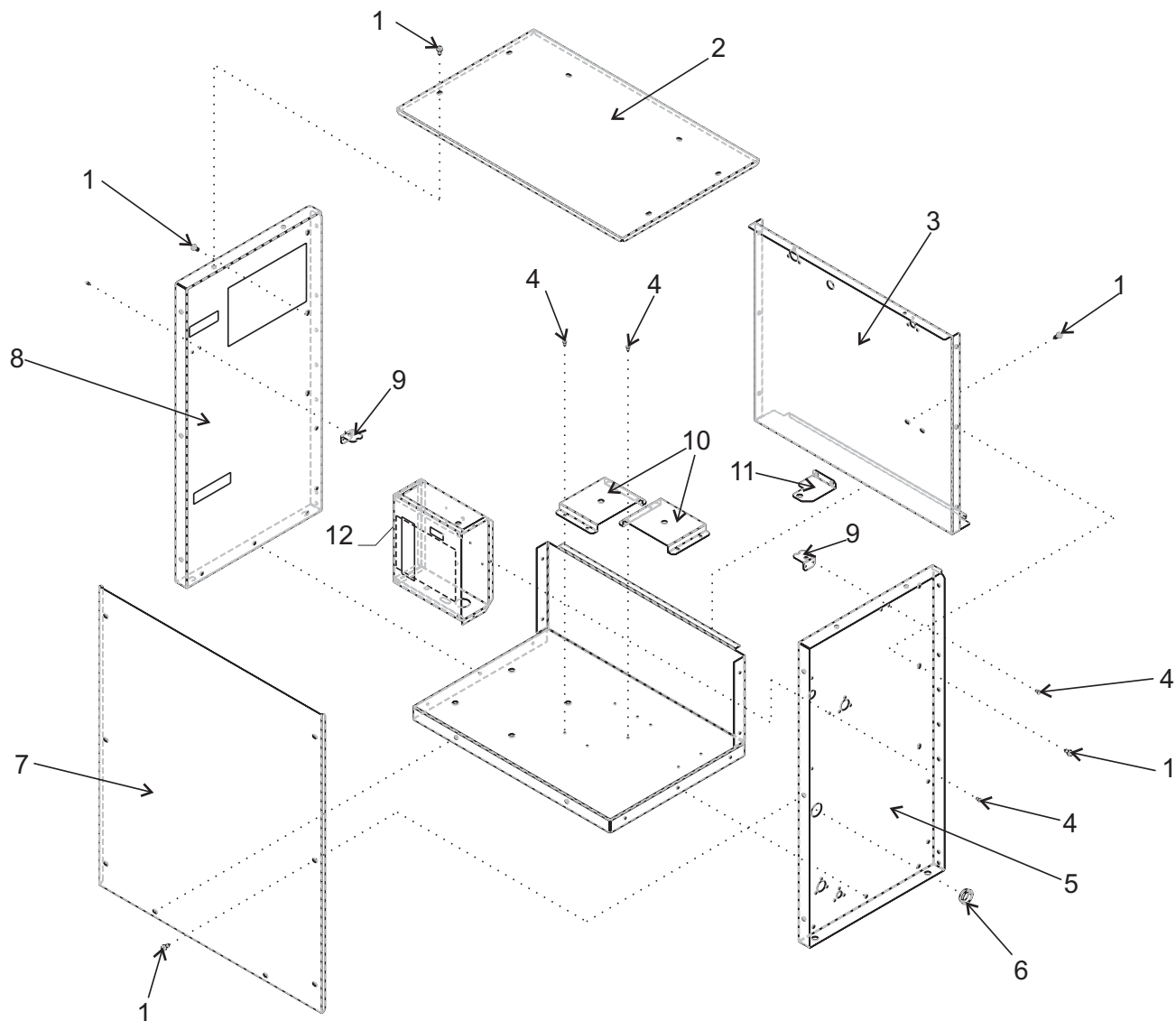
Item Number	Part Number	Description
1	03-1531-08	Screw
2	12-2780-01	Terminal block
3	03-1638-01	Screw
4	11-0531-22	Purge valve timer
5	12-2838-24	Controller
6	03-1531-01	Screw
7	A38284-001	Control box cover
8	12-2860-01	Transformer
9	12-0629-08	Snap bushing
10	12-1213-13	Snap bushing

Not illustrated:

11	12-1638-20	Power cord
12	12-2878-01	Hi voltage harness
13	12-2877-01	Lo voltage harness

# Eclipse 2000 Service Parts

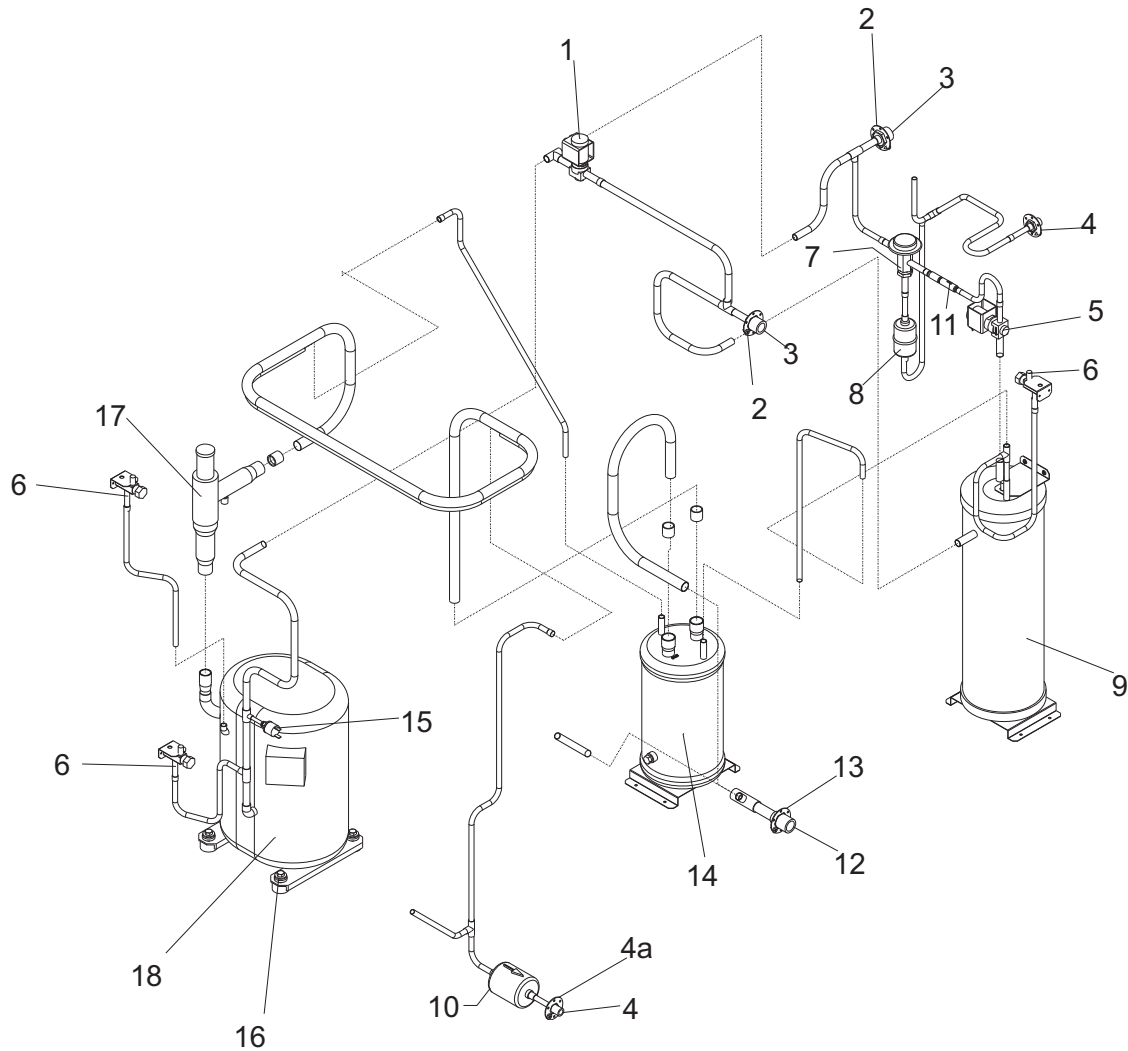
## CP2086 Cabinet



Item Number	Part Number	Description	Item Number	Part Number	Description
1	03-1645-01	Screw	10	A37948-001	Receiver or accumulator bracket
2	A37853-001	Top cover	11	A37949-001	Receiver top bracket
3	A37845-001	Back panel	12	A38430-001	Control box cover
4	03-1531-01	Screw			
5	A37829-001	Right side panel			
6	12-1213-20	Snap bushing			
7	A37896-001	Front cover			
8	A37829-002	Left side panel			
9	A37962-001	Service valve bracket			

# Eclipse 2000 Service Parts

## CP2086 Refrigeration Systems



Item Number	Part Number	Description
1	11-0507-23	By pass valve
2	16-0701-14	Mounting flange
3	16-0850-01	Discharge quick connect
4	16-0850-03	Liquid quick connect
4a	16-0701-07	Mounting flange
5	11-0546-21	Liquid inlet valve
6	16-0832-20	Access valve
7	11-0422-22	Headmaster
8	02-3231-02	Filter
9	16-1085-02	Receiver
10	02-3319-02	Filter drier
11	16-1029-01	Check valve
12	16-0850-04	Suction quick connect
13	16-0701-18	Mounting flange
14	16-1109-01	Accumulator
15	11-0501-22	Hi pressure cut out
16	03-1729-03	Hard mount pad
	03-1729-02	Hard mount washer
	03-1729-01	Hard mount
	03-1405-20	Cap screw
17	16-1096-22	CPR valve
18	Compressors	
	CP2086-32	single phase 18-8877-22
	CP2086-2	three phase 18-8877-23

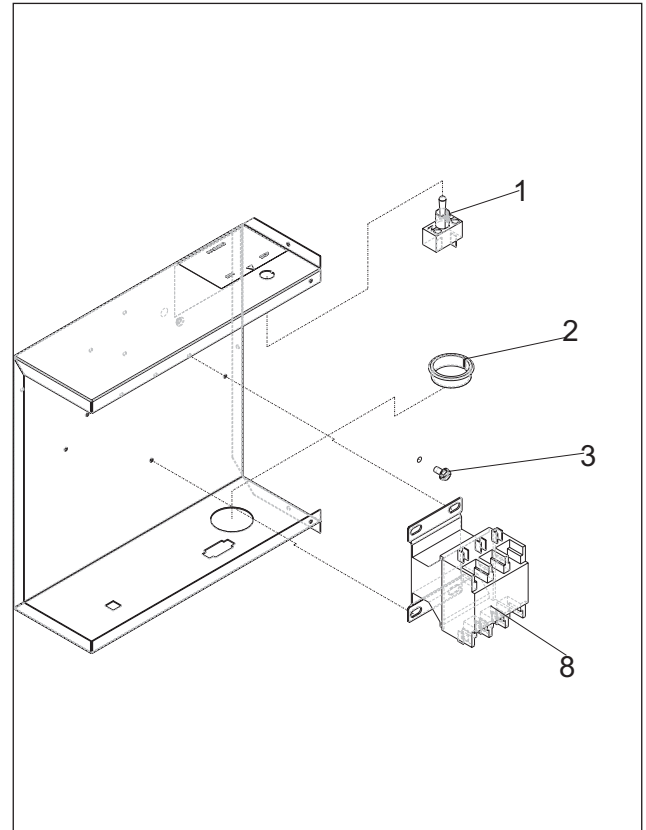
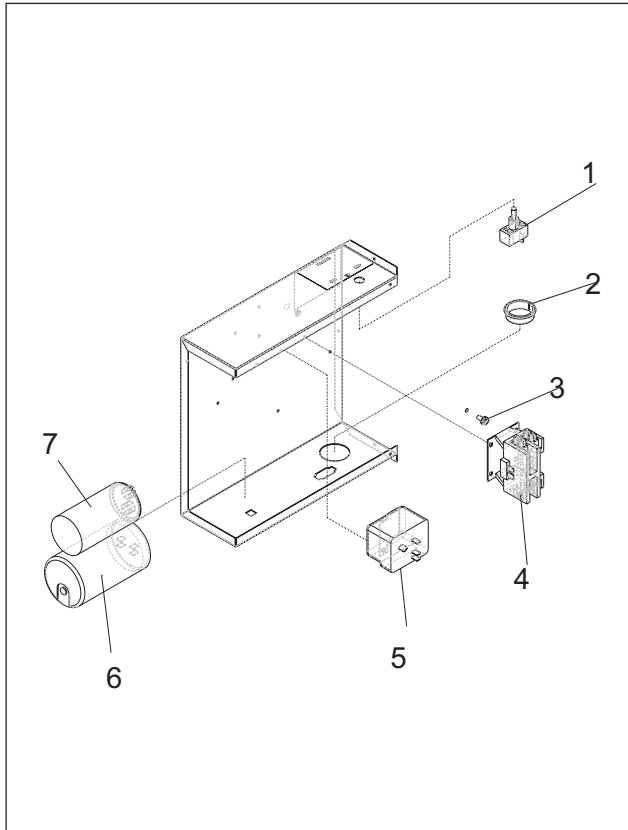
All compressors are 208-230 volt, 60 Hz.

Single phase compressors require starting components, order separately

	18-8828-01	Crankcase heater
19	12-2865-01	75' Interconnecting harness

# Eclipse 2000 Service Parts

## CP2086 Control Box



Item Number	Part Number	Description
1	12-0426-01	Toggle switch
2	12-1213-20	Snap bushing
3	03-1531-01	Mounting screw
4	12-2595-01	Single phase contactor
5	18-1903-55	Potential relay
6	18-1901-58	Start capacitor
7	18-1902-62	Run capacitor
8	12-2533-01	Three phase Contactor

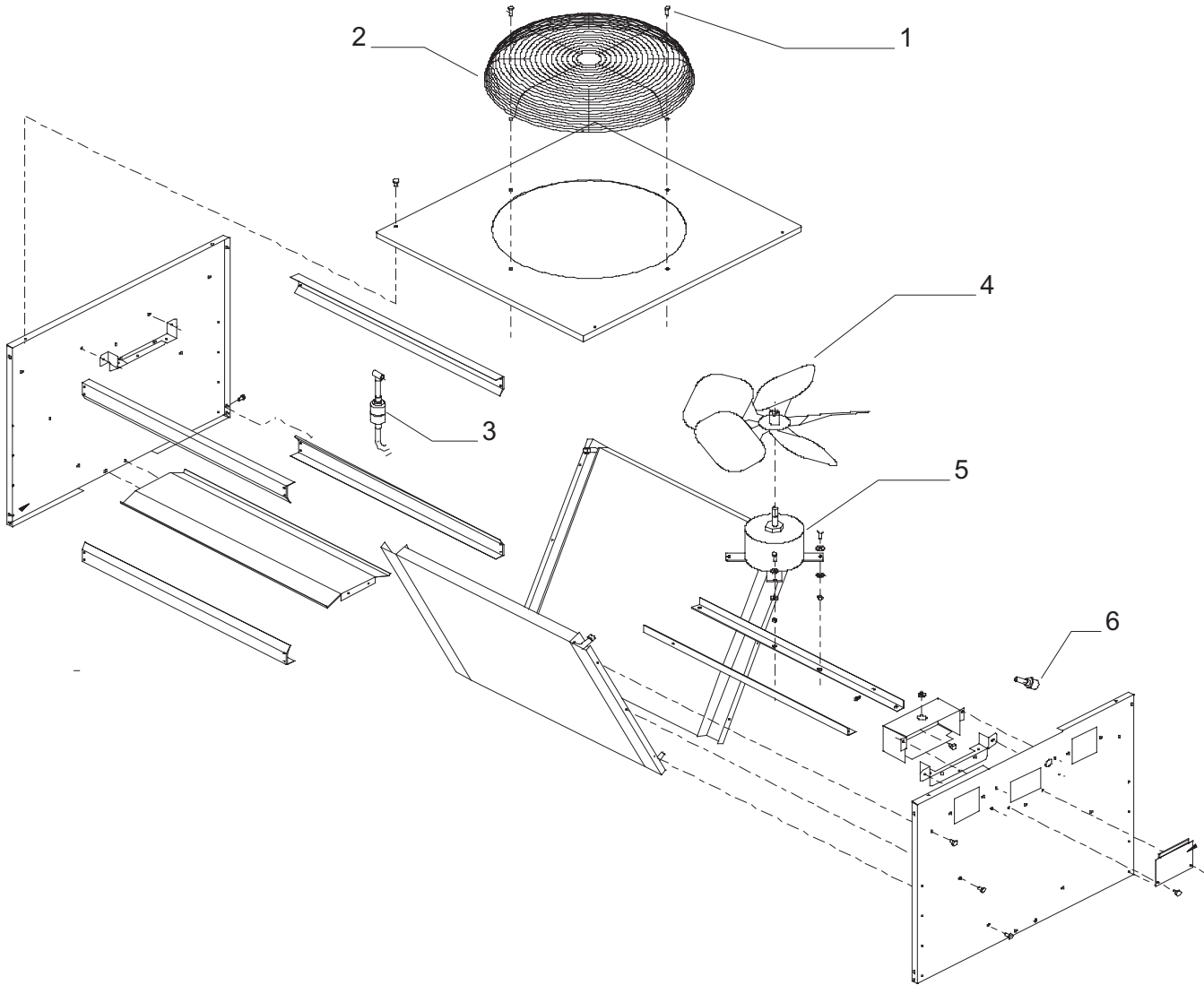
Not Shwn, single phase only

9	12-2679-01	Relay, 24 volt
10	12-2906-01	Harness for time delay
11	12-2836-02	Transformer
12	11-0530-01	Time delay relay



# Eclipse 2000 Service Parts

## Remote Condensers



### Model ERC2086

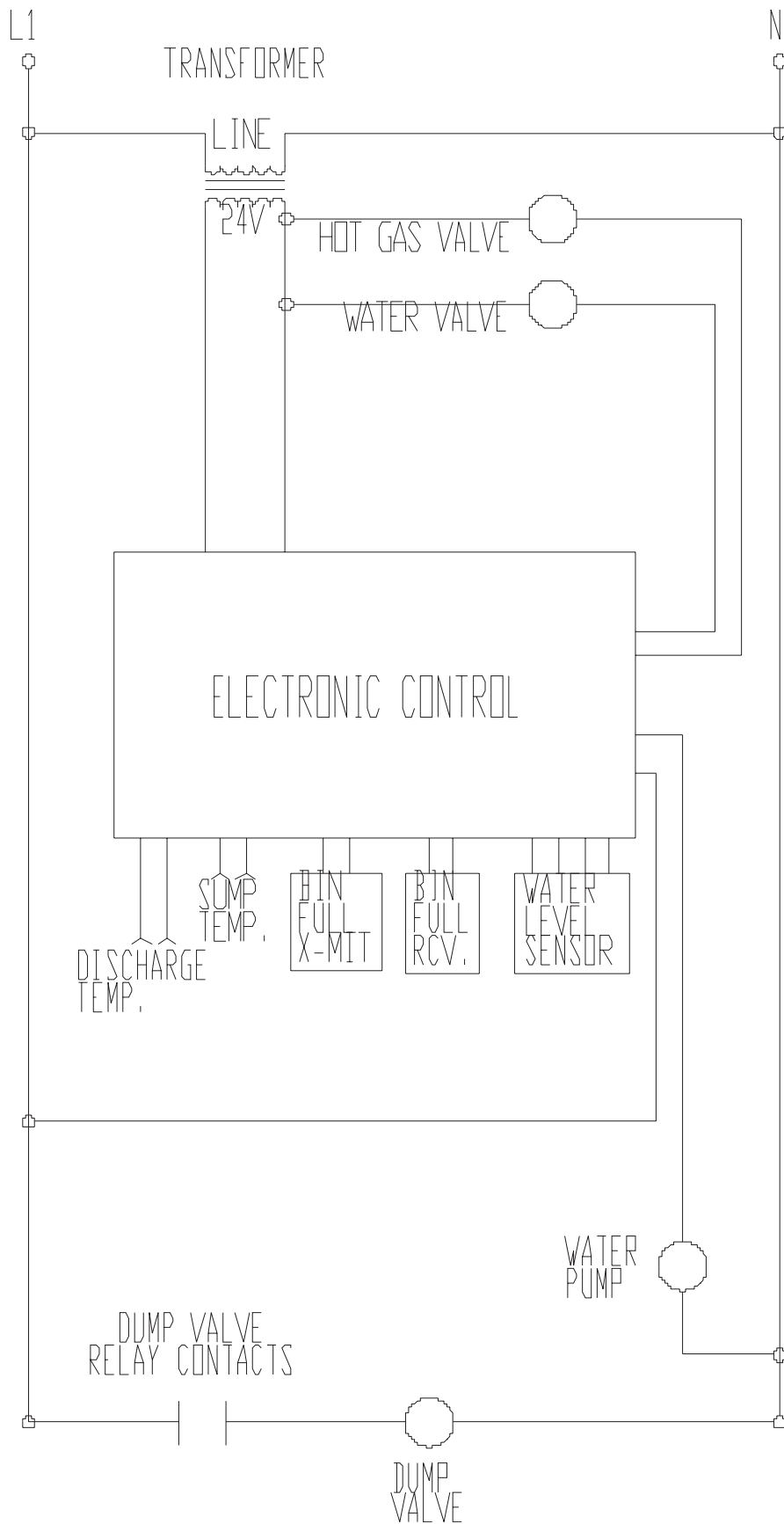
### Not Shown:

Item Number	Part Number	Description
1	03-1405-08	Screw
2	02-3770-01	Fan guard
3	02-3231-03	Filter
4	18-8820-01	Fan blade
5	12-2717-01	Fan motor
	18-8878-01	Motor capacitor
6	16-1057-04	Quick connect, discharge
	16-1057-03	Quick connect, liquid

A37169-001	Leg
A37296-001	Leg brace
03-1645-01	Screw for legs

# Eclipse 2000 Service Parts

## CME2086 Schematic Diagram

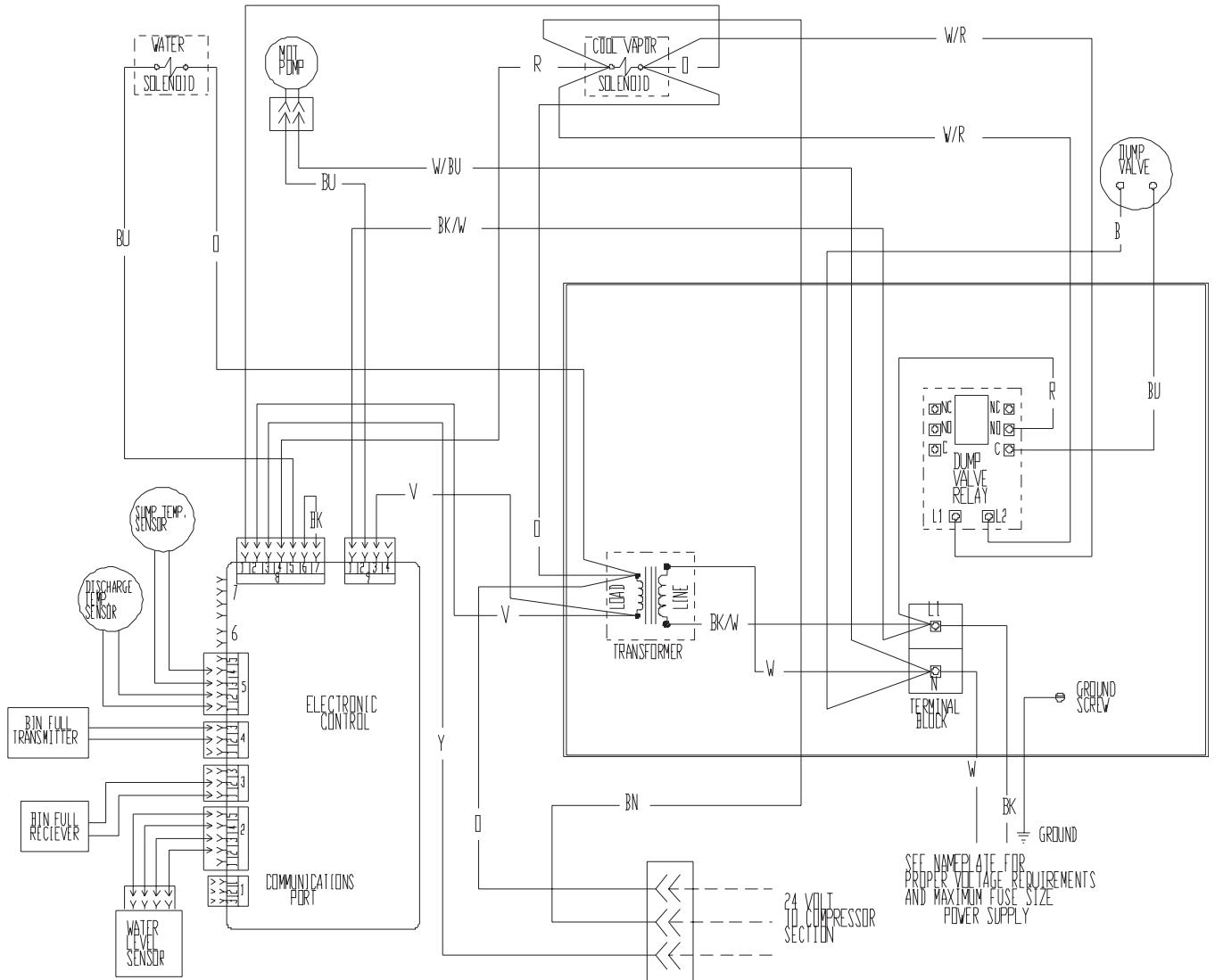


# Eclipse 2000 Service Parts

## CME2086 Wiring Diagram

17-2890-01

USE COPPER CONDUCTORS ONLY



CAUTION:

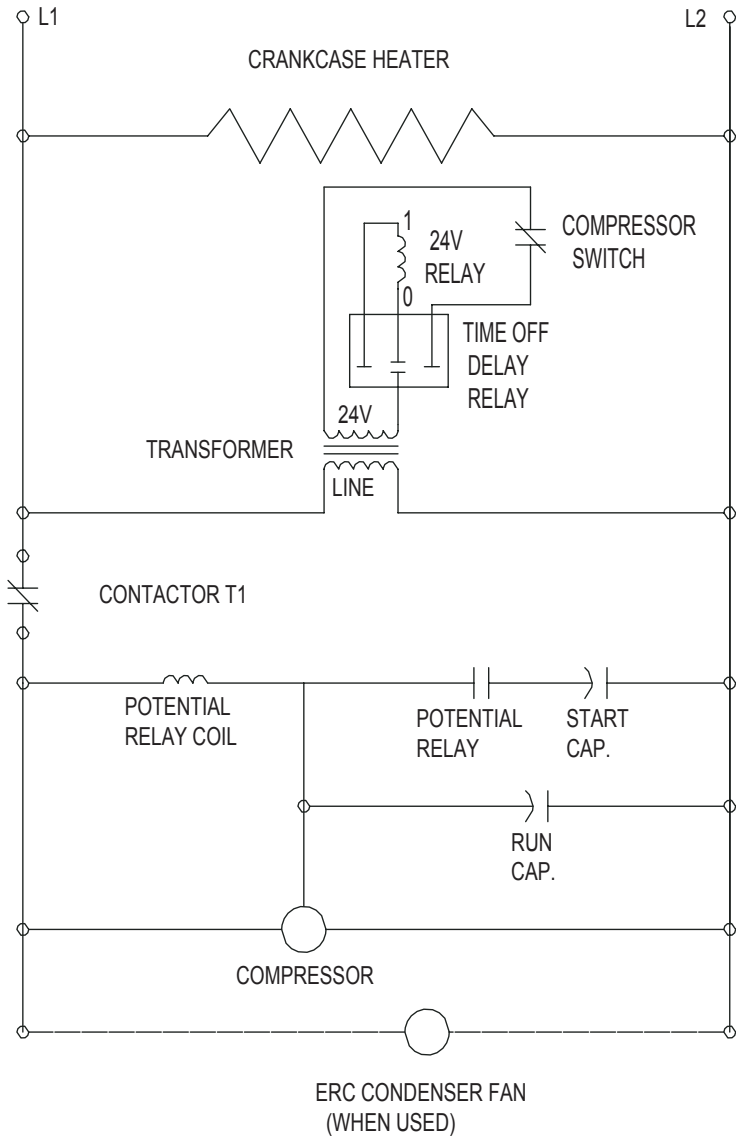
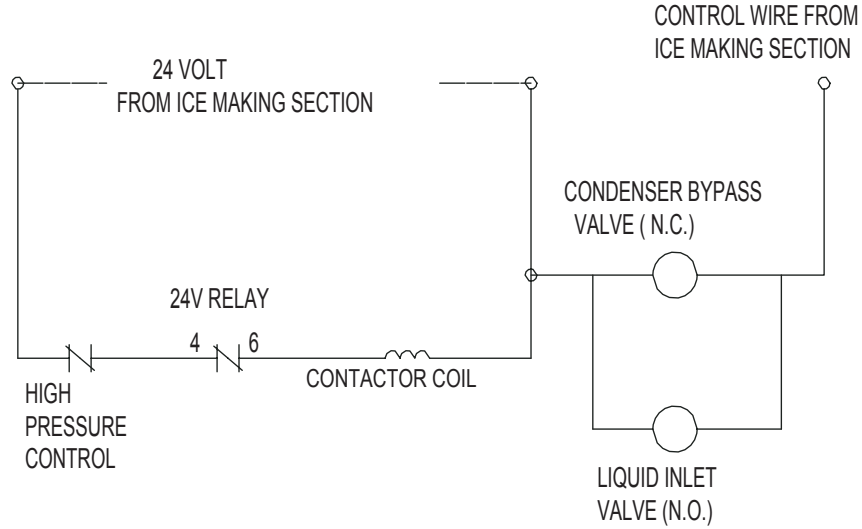
MORE THAN ONE DISCONNECT MEANS MAY BE REQUIRED TO DISCONNECT ALL POWER TO THIS UNIT.

THIS UNIT MUST BE GROUNDED.

⚠ DASHED LINES INDICATE FIELD WIRING WHICH MUST BE INSTALLED IN ACCORDANCE WITH THE NATIONAL ELECTRICAL CODE AND ALL STATE AND LOCAL CODES.

# Eclipse 2000 Service Parts

## CP2086 Single Phase Schematic Diagram




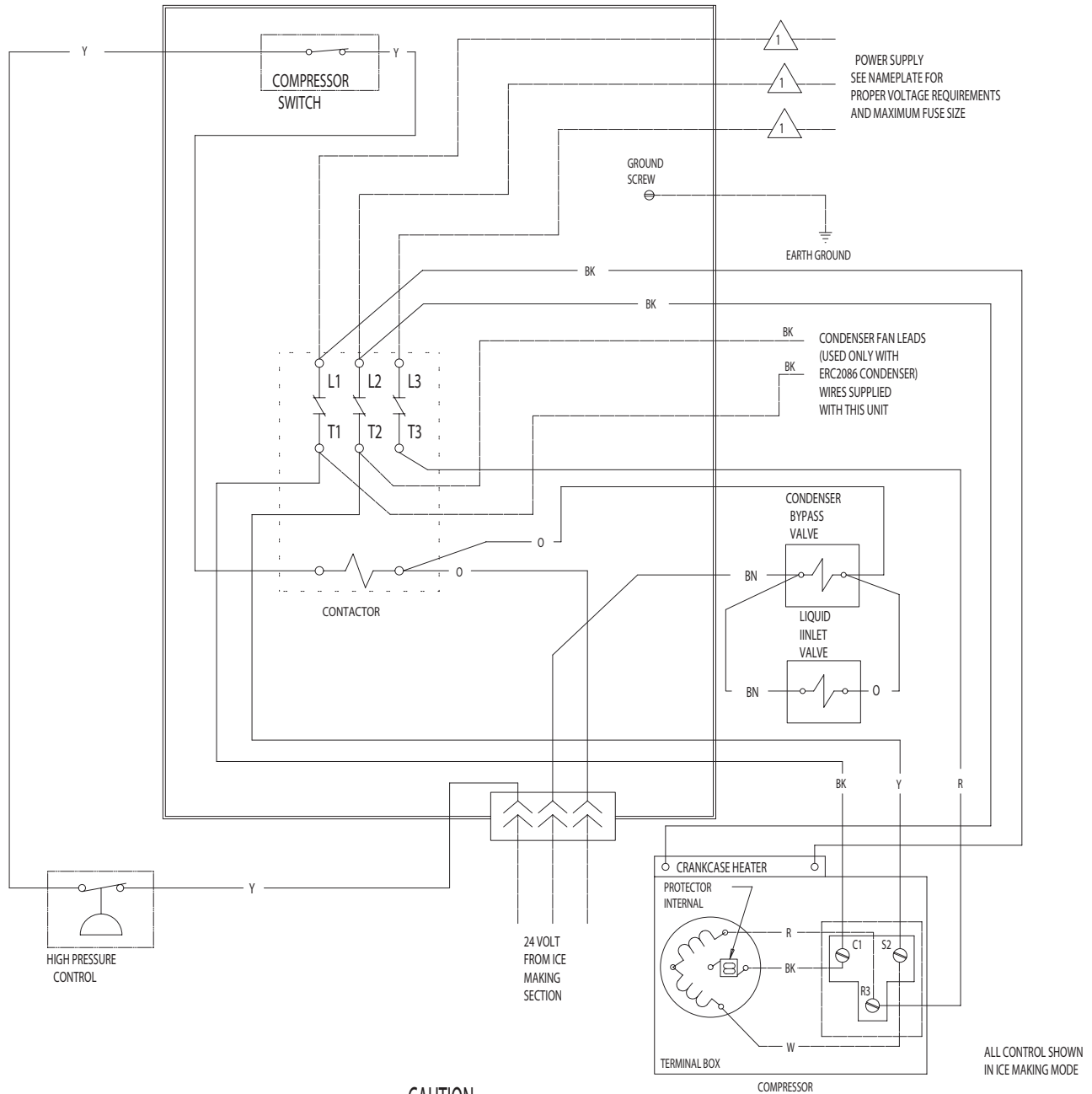
# Eclipse 2000 Service Parts

## CP2086 Single Phase Wiring Diagram

17-2984-01

USE COPPER CONDUCTORS ONLY

 DASHED LINES INDICATE FIELD WIRING WHICH MUST BE INSTALLED IN ACCORDANCE WITH THE NATIONAL ELECTRICAL CODE AND ALL STATE AND LOCAL CODES.



CAUTION:

MORE THAN ONE DISCONNECT MEANS MAY BE  
REQUIRED TO DISCONNECT ALL POWER TO THIS UNIT.

THIS UNIT MUST  
BE GROUNDED.

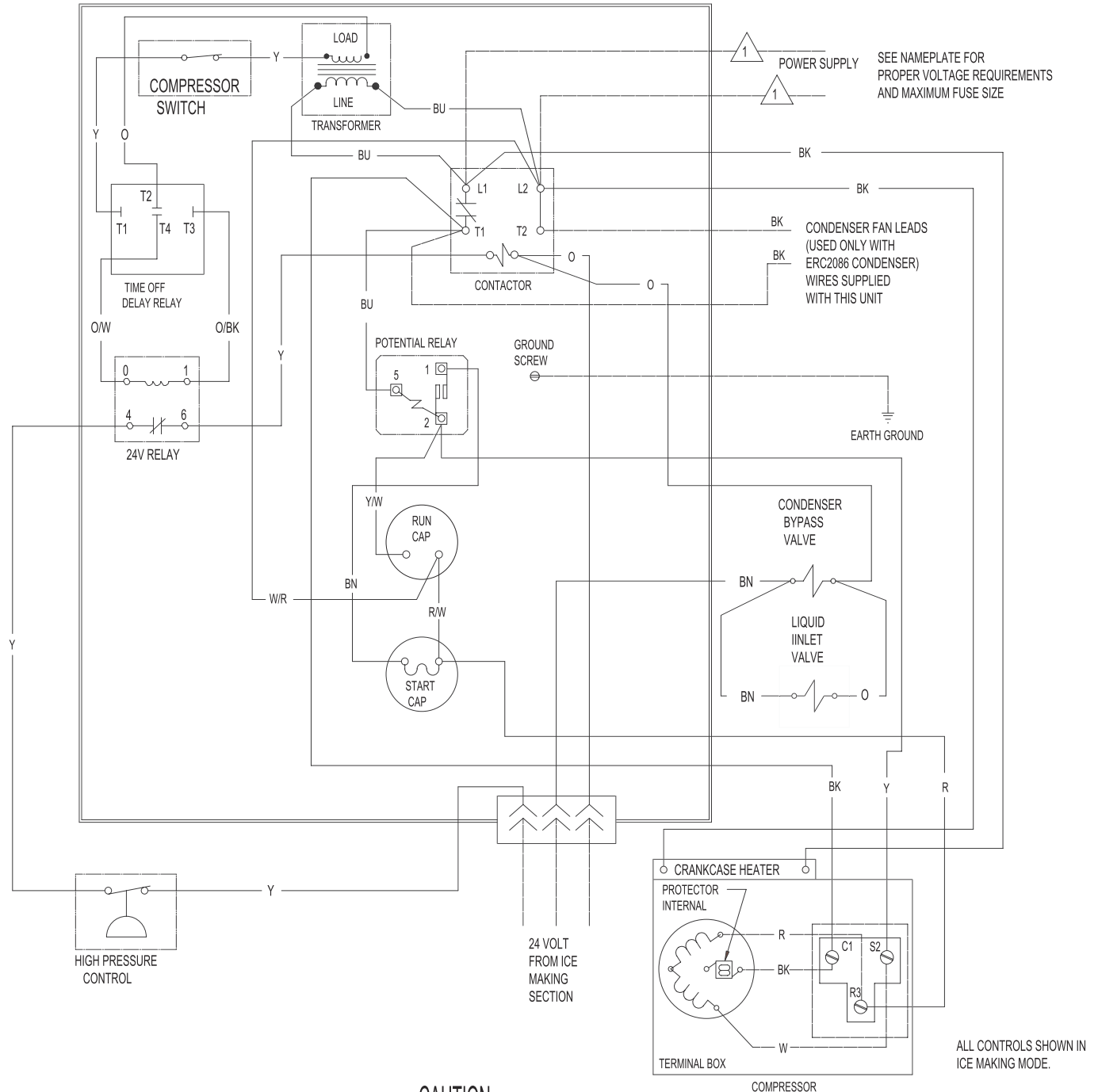
# Eclipse 2000 Service Parts

## CP2086 Three Phase Wiring Diagram

17-2982-01

USE COPPER CONDUCTORS ONLY

**1** DASHED LINES INDICATE FIELD WIRING WHICH MUST BE INSTALLED IN ACCORDANCE WITH THE NATIONAL ELECTRICAL CODE AND ALL STATE AND LOCAL CODES.



THIS UNIT MUST BE GROUNDED.

**CAUTION:** MORE THAN ONE DISCONNECT MEANS MAY BE REQUIRED TO DISCONNECT ALL POWER TO THIS UNIT.

# Eclipse 2000 Service Parts

## CP2086 Three Phase Schematic Diagram

